



7000/9000 and Medio Series Installation Instructions



6000/8000 Series Installation Instructions

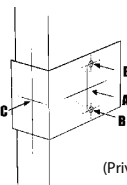


All applications involving door closers require 2x through-fixing screws and 2x self-tapping wood screws to be fitted to each rose. Failure to do so may void manufacturers' warranty.

NOTE:

Accurate door preparation is essential for the functioning of this lock. Please follow the enclosed template and instructions carefully. Through-bolt fixing is recommended.

1 DOOR PREPARATION

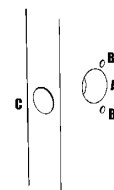


(Privacy Set Illustrated)

Fold template at correct height
(suggested height for centreline is 970mm from floor)

- A Mark centre for either passage or privacy set.
- B Mark holes for through-bolt fixing where required.
- C Mark centre of door thickness on horizontal centreline.

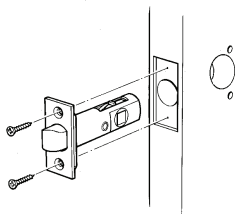
2 DRILL HOLES



When drilling through the door, drill from both sides to avoid damaging the door.

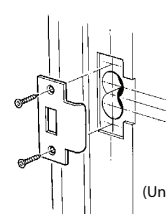
- A Drill a 35mm hole through the door for privacy sets and a 25mm hole for passage sets.
- B Drill 2x 5mm holes through the door where through-bolt fixing is required.
- C Drill a 24mm hole x 85mm deep into the front edge of the door.

3 INSTALL LATCH



- A Insert latch into hole. Trace around face plate.
- B Chisel out wood until faceplate fits flush with door edge.
- C Fasten latch to door so bevelled edge of latchbolt faces jamb.

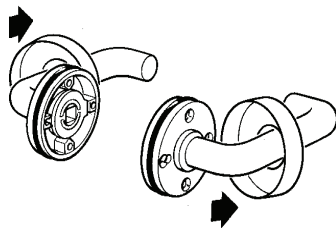
4 PREPARE JAMB & INSTALL STRIKE



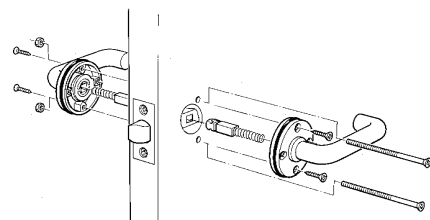
(Universal Strike illustrated)

- A Mark vertical line and height centreline on jamb, exactly opposite centre of latch.
- B Drill 2x 20mm holes x 15mm deep, 8mm above and below height centreline.
- C Use strike plate as pattern for cutout. Chisel out and install strike.

5 REMOVE ROSE CAPS

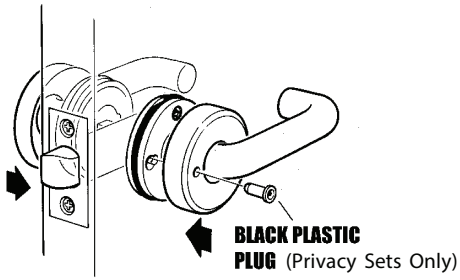


6 INSTALL FURNITURE



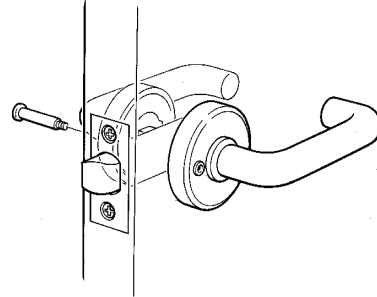
- A Insert spindles into furniture, as illustrated.
- B Attach furniture to door by through-bolt fixing. Cut bolts to appropriate flush against the rose.
Fit self-tapping wood screws to each rose as necessary.

7 REPLACE ROSE CAPS



- A Replace rose caps
- B Insert black plastic plug into hole, on outside rose.

8 ATTACH PRIVACY BUTTON

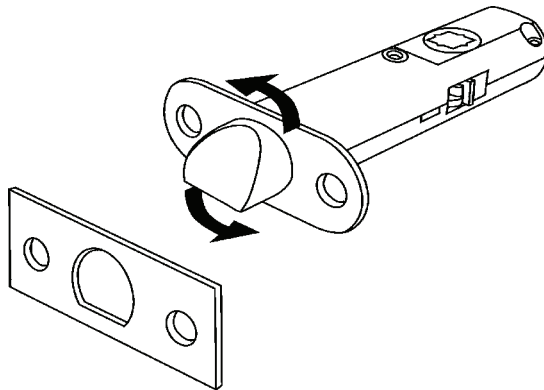


- A Screw in privacy button for privacy sets.

PRIVACY LATCHBOLT - HANDING INSTRUCTIONS

All Privacy Latchbolts are supplied handed to accommodate inward opening doors. If you have an outward opening door, use the following instructions to hand the latchbolt correctly.

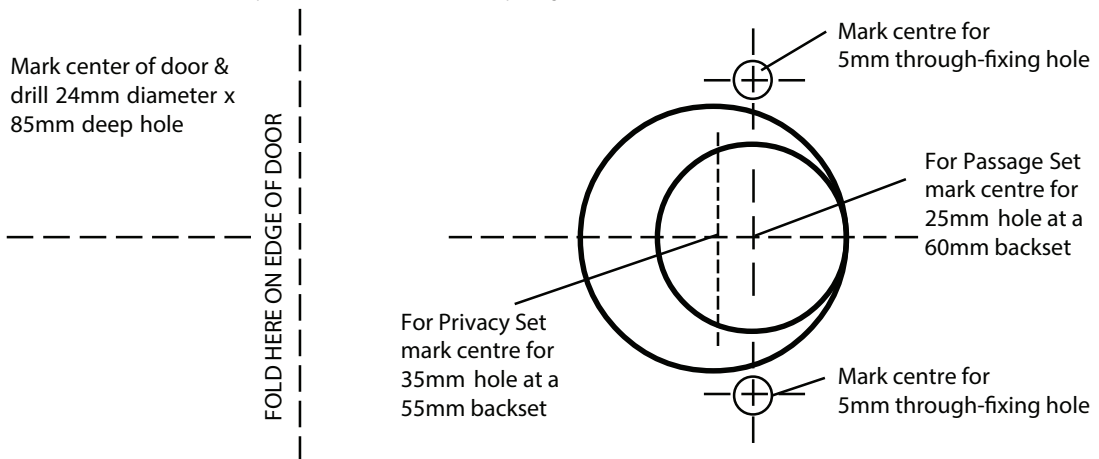
1 TO HAND THE LATCH



- A Remove forend and rotate the latch head. Replace forend to set in place.

PASSAGE/PRIVACY SET INSTALLATION GUIDE

Important - Double check dimensions if printing from an electronic version



Reference: ZPIC